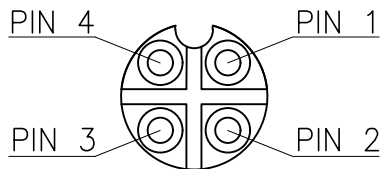
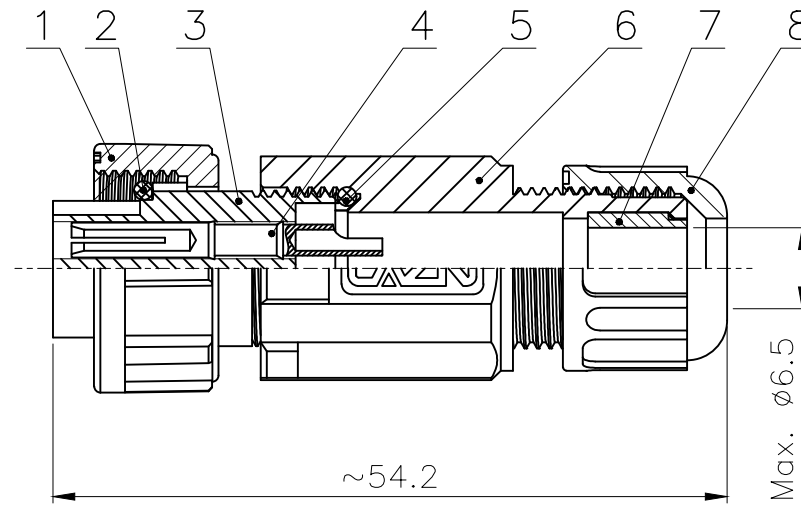
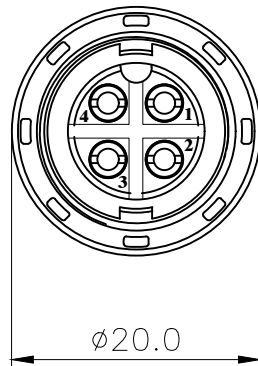


| Rev. | Change Description | ECN # | Date |
|------|--------------------|-------|------|
|      |                    |       |      |




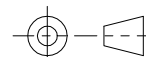
VIEW A

| No. | Specification   | Material        | Treat       | Unit | Q'ty |
|-----|---|-----------------|-------------|------|------|
| 8   | Line lock nut   | Nylon           | /           | pc   | 1    |
| 7   | Assembled waterproof rubber plug                        | silica gel      | /           | pc   | 1    |
| 6   | E10 Plug type body                                      | Nylon           | /           | pc   | 1    |
| 5   | Waterproof sealing O-rind                               | NBR             | /           | pc   | 1    |
| 4   | E type Female contact pin                               | Phosphor Copper | Gold plated | pc   | 4    |
| 3   | E10 Hole type socket shell (4 core B code)              | Nylon           | /           | pc   | 1    |
| 2   | E10 Insulator O ring $\phi 12 \times \phi 9 \times 1.5$ | NBR             | /           | pc   | 1    |
| 1   | E10 Thread type Connecting nut                          | Nylon           | /           | pc   | 1    |

| Technical specifications: |                     | Materials:        |                             |
|---------------------------|---------------------|-------------------|-----------------------------|
| Coupling:                 | Threaded connection | Shell material:   | PA66+GF UL94 black          |
| Termination:              | Soldering           | Contact material: | Phosphor Copper Gold plated |
| Pollution degree:         | 3                   | Insert material:  | PA66+GF UL94 black          |
| Temperature range:        | -45°C ~ +105°C      | Sealing:          | NBR                         |
| Degree of protection:     | IP67                |                   |                             |
| Mating cycles:            | ≥500                |                   |                             |
| Rated voltage:            | 300V AC/DC          |                   |                             |
| Rated current:            | 10A                 |                   |                             |

All parts are RoHS compliant

|                                      |      |           |   |
|--------------------------------------|------|-----------|---|
| GENERAL TOLERANCE (UNLESS SPECIFIED) | DWN  | DATE      |  |
|                                      | LL   | 2022.8.15 |   |
|                                      | CHK  | DATE      |   |
| ≤10 ±0.1                             | APVD | DATE      | TITLE E10 Straight Female Field Installable Plug (4 core B code)                      |
| <10~≤20 ±0.2                         |      |           | PART NO E10001-04B000000  |
| <20~≤50 ±0.5                         |      |           | DRAWING NO E10P-TA1-S4B   |
| Angle ±1°                            | UNIT | REV       |   |
|                                      | MM   | A         |   |
|                                      | SIZE | SHEET     |   |
|                                      | A4   | 1 OF 1    |   |



THIRD ANGLE